

Triple Pull Rolls



Models TPR-1121 • TPR-2121 • TPR-3121
Designed for sheet widths up to 48", 60" and 80" respectively

Triple Pull Rolls

Models TPR-1121 • TPR-2121 • TPR-3121

Function

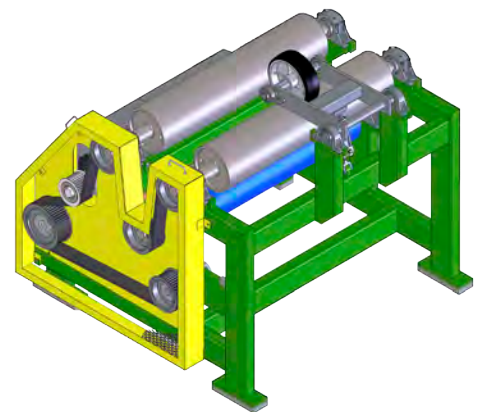
- The Triple Pull Roll assembly draws the web from upstream components and provides a smooth flow of product throughout the process.

Safety

- Drive belt fully guarded with expanded sheet metal that allows for easy inspection of drive components without having to remove the guard.

Reliability

- Two chrome plated upper rolls with 0.020" chrome plating
- Poly covered lower roll
- All rolls are dynamically balanced for 1,100 FPM
- Powered by a Marathon Black Max motor
- Motor brake eliminates sheet pullout



Maintainability

- Centralized lubrication manifold
- Split housing pillow block bearings aid maintainability & preserve alignment
- Sheet metal covered motor

Operability

- Operator friendly thread-up

Installation

- Electrical devices other than motors are wired to a machine mounted junction box



International Headquarters
1025 West Thorndale Avenue
Itasca, Illinois USA 60143
Telephone: +1 630-773-2500
Fax: +1 630-773-3414
www.reicheldrews.com
Email: reicheldrews@therdigroup.com



Sales & Engineering Center
Laubanger 18
D-96052 Bamberg
Germany
Telephone: +49 951- 9682584-0
Fax: +49 951- 9682584-99